



FooladGharb Co., the manufacturer of a wide variety of sandwich panels, various sheets, and prefabricated Conex and villas has been first established in Tabriz, Iran in 2002. The area of the company has been expanded to 20000 m2 at Salimi Industrial Zone to provide better quality and completing the production chain while having a maximum production rate. Two manufacturing units with a total area of 3000 m2 enabled us to achieve 1.5 million m2 sandwich panel production capacity per year. Currently, FooladGharb Co. has one of the most equipped and fully automated integrated production lines of sandwich panels in the country.

FooladGharb sandwich panels are cost-efficient prefabricated elements that consist of an inner insulation core between two steel sheet layers or top steel sheet layer with bottom craft paper layer or top steel sheet layer with bottom waterproof paper layer. The insulating core can be polyurethane (PU) or Expanded Polystyrene (EPS). Sandwich panels are delivered as prefabricated finished panels which give the option to choose between various insulation materials, profiles, insulation dimensions, Steel sheet thicknesses and range of colors. The panels are compact, all-in-one elements. These types of panels will enable you to construct the structures more efficiently and as quickly as possible. Our high-performance sandwich panels can be used in many different applications including cold storage, agriculture, Residential Containers, poultry buildings, Sports halls, industry offices, warehouses, clinics, etc. In addition to sandwich panels, we offer a wide range of accessories and tools needed for their installation. We also provide a comprehensive selection of professional services and full technical support.

Our reputation is our quality. Therefore, By Utilizing High-Tech Solutions We are able to Produce High-Quality Sandwich Panels with Competitive Prices.

[www.fooladgharb.com](http://www.fooladgharb.com)



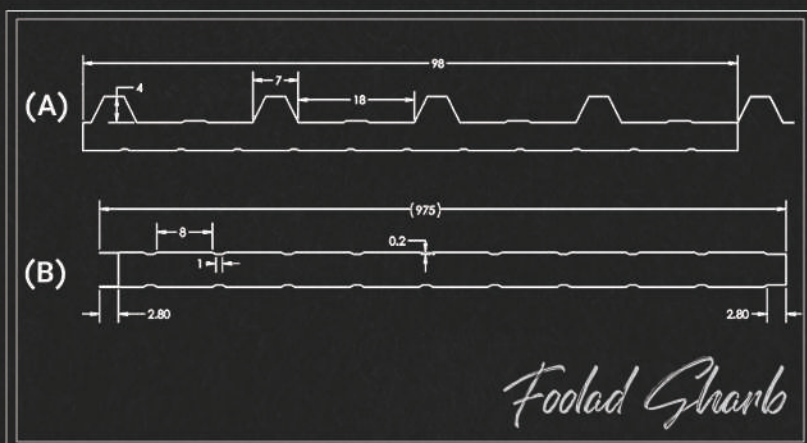
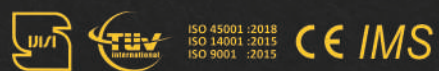
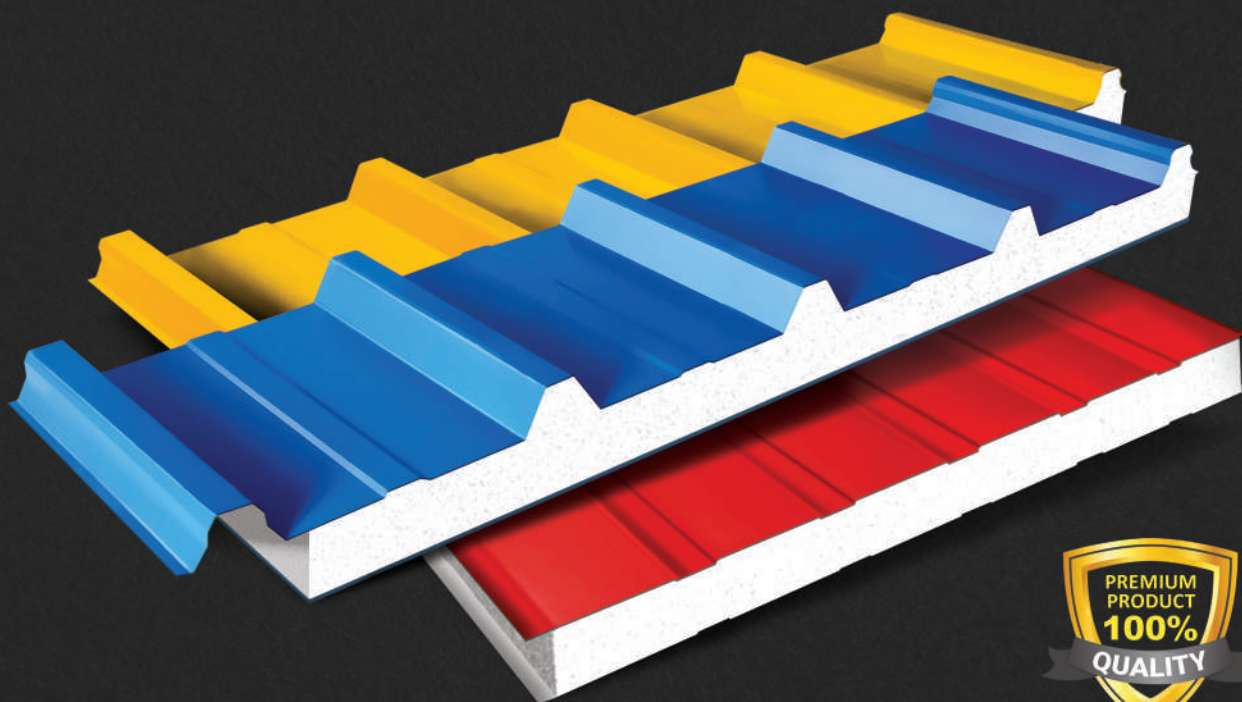
*In Fooladgharb Company, customer satisfaction is our top priority and we are always looking for contentment and creating a sense of pride and excitement in customers around the world because they deserve it. our core motto and value are product quality and unique design. The Fooladgharb Company seeks to create value for a better society.*



No. 47-49, Dead-end Kamyar  
Takhti Roundabout, Valiasr Ave  
Tabriz/IRAN,  
Postal Code: 51 57 94 39 56  
[www.safaindustrialgroup.com](http://www.safaindustrialgroup.com)  
Tel:+98 41 33 32 4006

# FOOLAD GHARB SANDWICH PANEL

Polystyrene, XPS Sandwich Panel



Foolad Gharb



## Polystyrene sandwich panel

It is the best option for commercial and residential buildings for roof and wall covering with easy installation. Sandwich panel is composed of three main layers; It has two steel sheets and a layer of insulation that has high strength despite its low weight. The middle layer of the sandwich panel can be selected from polystyrene, polyurethane, XPS and other insulation materials. Polyurethane sandwich panel is more popular now, but the price of polystyrene sandwich panel makes it an affordable option as a great alternative to traditional building materials. The steel sheet in the sandwich panels can be colored sheet, galvanized, aluzinc, aluminum, foiled paper sheet.

Sandwich panels are produced for various applications such as roof, wall and cold storage warehouse wall. The difference between roof and wall sandwich panels is in the profile of the top sheet. The roof sandwich panel has ribs that allow it to withstand additional load. But in wall sandwich panel, facade profile sheet is used on both sides. The effective width of the EPS and XPS roof sandwich panel is 98 cm and the effective width of the EPS and XPS wall sandwich panel is 95 cm. The length limit of the panel is up to 15 meters. Insulation thickness can be selected from 3 to 15 cm depending on the application such as cold storage, poultry, gym, warehouse and shed.

## Technical Specifications Wall sandwich panel

Width	950 mm
Length	2 ~ 13.6 m
Thickness	3 ~ 15 cm
Top sheet thickness	0.4 ~ 0.7 mm
Bottom sheet thickness	0.18 ~ 0.5 mm
Type of Sheet	Galvanized/Aluminium Aluzinc
Type of insulation	Polystyrene / XPS

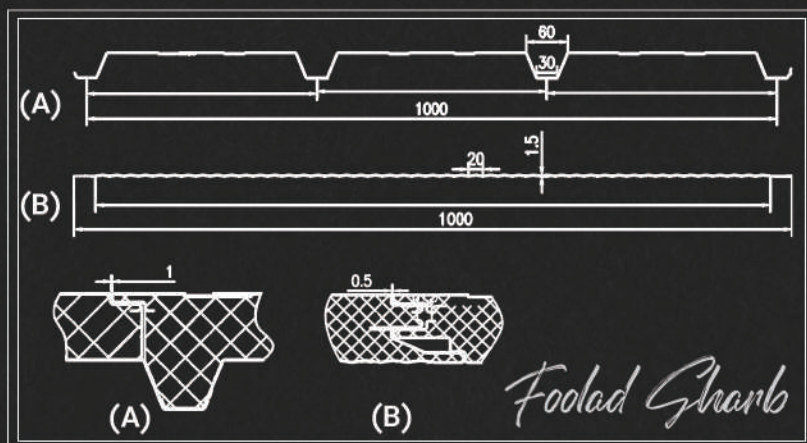
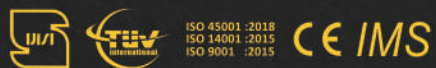
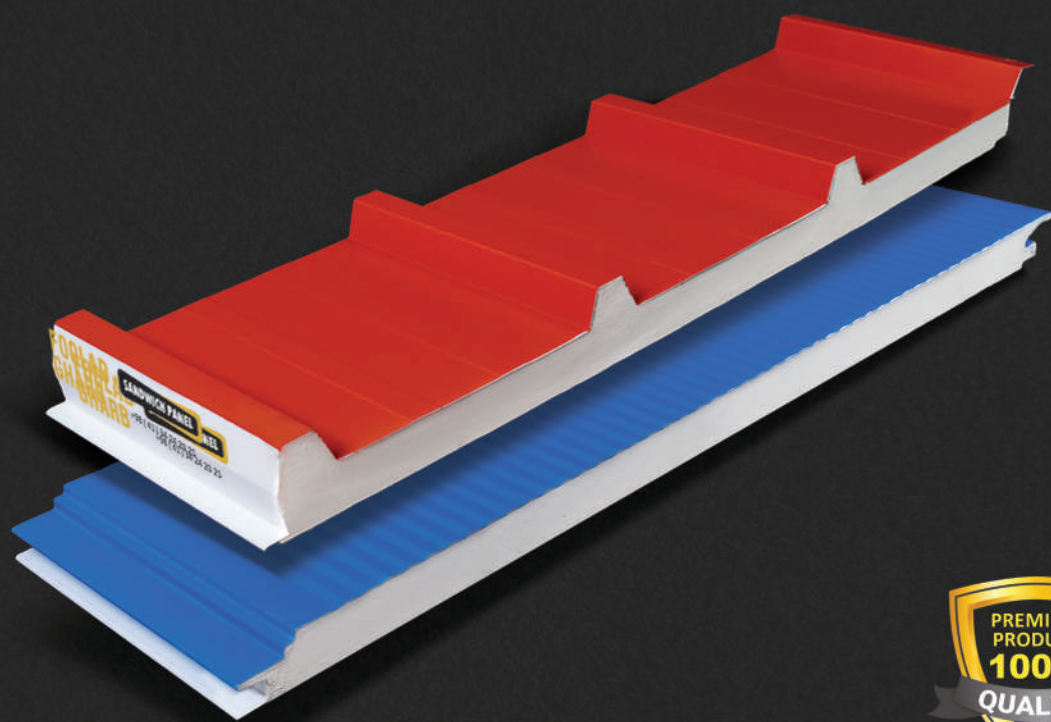
## Technical Specifications Roof sandwich panel

Width	980 mm
Length	2 ~ 13.6 m
Thickness	3 ~ 15 cm
Top sheet thickness	0.4 ~ 0.7 mm
Bottom sheet thickness	0.18 ~ 0.5 mm
Type of Sheet	Galvanized/Aluminium /Aluzinc
Type of insulation	Polystyrene / XPS



# FOOLAD GHARB SANDWICH PANEL

Polyurethane Sandwich Panel



## PUR sandwich panel

Polyurethane (PUR) is a type of insulation foam in which most pores are closed and it can be used as thermal insulation, which is made from isocyanate and polyol in special conditions by adding catalyst. Polyurethane has better performance than polystyrene. The sandwich panel, which is made of polyurethane insulation, can also withstand temperatures up to 100 degrees Celsius in a limited period of time.

Polyurethane sandwich panels are produced with thicknesses varying from 3 to 20cm. Polyurethane sandwich panel consists of 3 layers, the Bottom and top steel sheets and polyurethane insulation foam. Inside them the PUR sandwich panels is made of polyurethane foam with a density of 40 kg / m3.

Foolad Gharb sandwich panels can be used in cold storage warehouses and distribution centers, ultra-large refrigeration chillers, freezers, refrigerators or just to control the confined environment of each structure.

## Technical Specifications PUR Roof sandwich panel

Width	100 cm
Length	2 ~ 13 m
Thickness	3 ~ 20 cm
Top sheet thickness	0.3 ~ 0.7 mm
Bottom sheet thickness	0.18 ~ 0.7 mm
Type of Sheet	Galvanized/Aluminium /Aluzinc
Type of insulation	Polyurethane

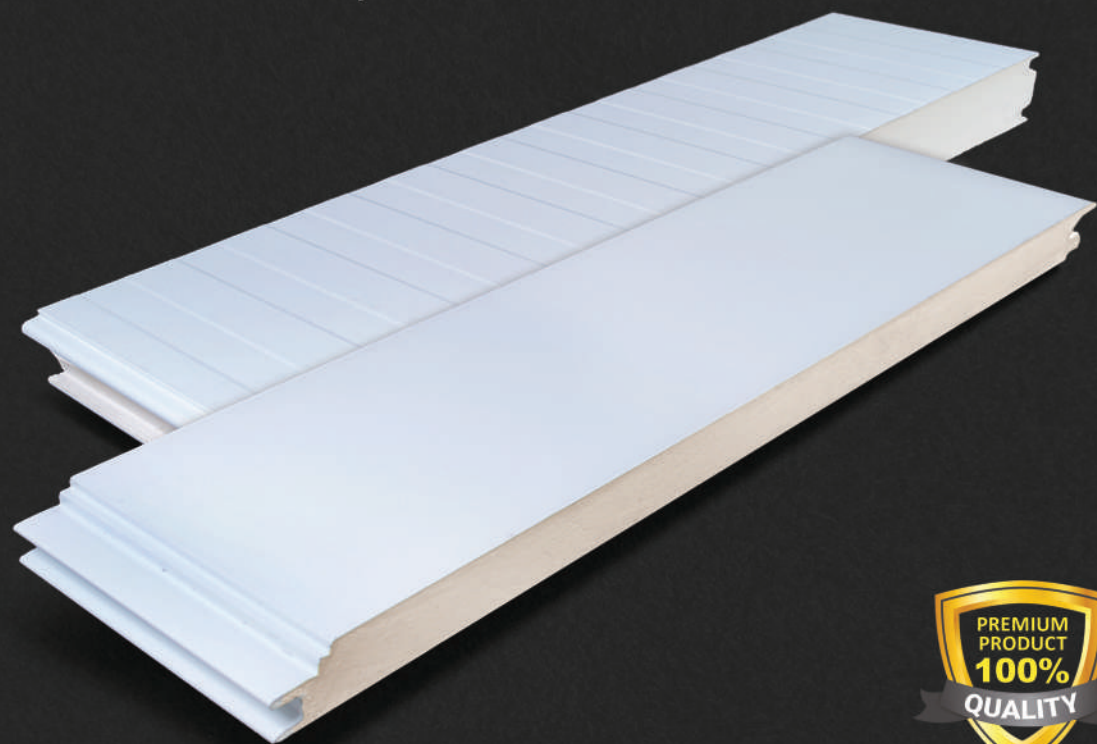
## Technical Specifications PUR wall sandwich panel (secret fix profile)

Width	100 cm
Length	2 ~ 13 m
Thickness	4 ~ 20 cm
Top sheet thickness	0.3 ~ 0.7 mm
Bottom sheet thickness	0.3 ~ 0.7 mm
Type of Sheet	Galvanized/Aluminium /Aluzinc
Type of insulation	Polyurethane



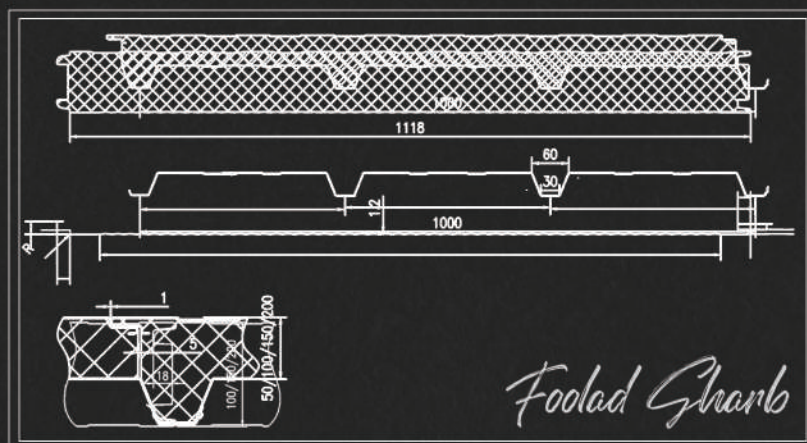
# FOOLAD GHARB SANDWICH PANEL

Polyurethane Sandwich Panel



ISO 45001 :2018  
ISO 14001 :2015  
ISO 9001 :2015

CE IMS



*Foolad Gharb*



## Cold Room panel

The choice of cold Room panel is very important for the cold Room, because the cold Room is different from the ordinary warehouse, the temperature in the cold Room is generally lower, and the air temperature, humidity, and environmental requirements are all relatively low. Therefore, when choosing a cold storage sandwich panel, we must pay attention to choosing a coldroom panel that has better temperature control. If the coldroom panel is not well selected, it will cause the temperature in the cold storage to be difficult to control. Frequent work of refrigeration compressors in cold storage warehouse, due to improper wastes more resources and increases costs. Choosing the right sandwich panel can better maintain the cold storage.

Our system of modular cold Rooms is based on sandwich panels with polyurethane core, which are joined with each other by special Overlab system. FOOLAD GHARB sandwich panel meet International hygienic and technical standards.

The coldroom panel has the characteristics of corrosion resistance, aging resistance, flame retardant, antibacterial, light weight and low price, strong and pressure resistant, safe and reliable, beautiful appearance, convenient operation, long service life and so on.

## Technical Specifications Cold Room panel

Width	112 cm
Length	2 ~ 13 m
Thickness	4 ~ 20 cm
Top sheet thickness	0.3 ~ 0.7 mm
Bottom sheet thickness	0.3 ~ 0.7 mm
Type of Sheet	Galvanized/Stainless steel Aluminum/ Aluzinc
Type of insulation	Polyurethane

## Technical Specifications Clean Room panel

Width	100 cm Hidden screw 112 cm
Length	2 ~ 13 m
Thickness	4 ~ 20 cm
Top sheet thickness	0.4 ~ 0.7 Mm
Bottom sheet thickness	0.4 ~ 0.7 Mm
Type of Sheet	Galvanized/Stainless steel Aluminum/ Aluzinc
Type of insulation	Polyurethane

## Clean Room

Clean Room is a closed room with complete closure to maximize the cleanliness in the air in accordance with international standard.

Clean Room in industry such as pharmaceutical, electronics, microchip, biological lab, surgery room for avoiding bacterias and viruses.

The surface of clean room wall and ceiling must not only be clean and heat-resistant, but also dust-free, low absorption of moisture and water, anti-mold and antibacteria, and most importantly fire-resistant to prevent loss of lives and property damage.

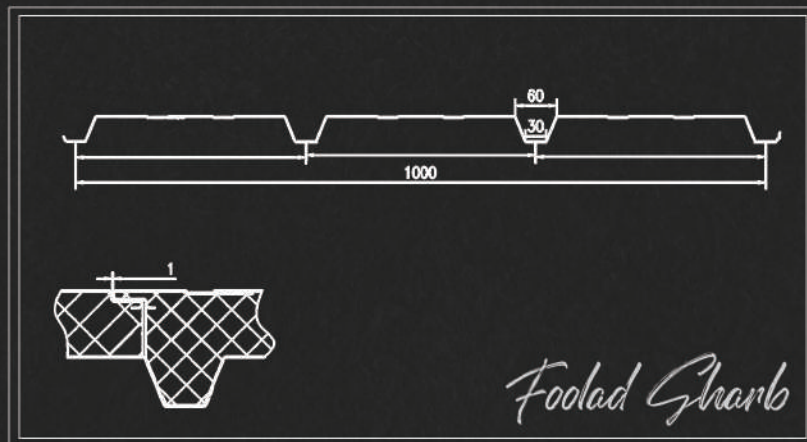
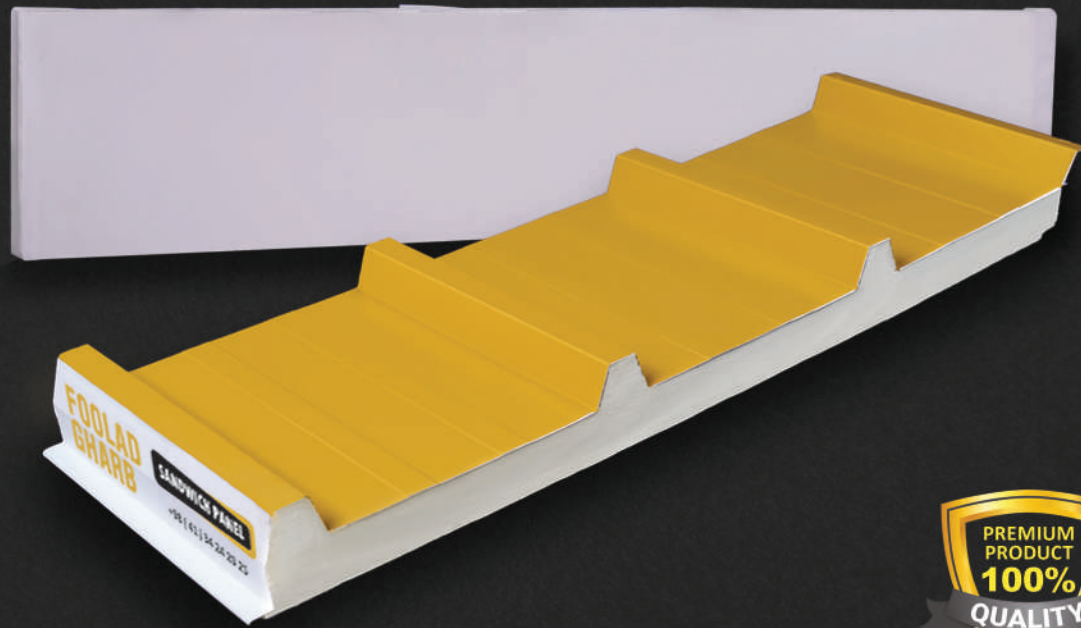
Cleanroom Sandwich Panel Advantage:

It is suitable for different environments and provides a variety of core materials with the characteristics of fire resistance, corrosion resistance, noise reduction, and moisture resistance, low dust absorption and etc.



# FOOLAD GHARB SANDWICH PANEL

Polyurethane Sandwich Panel



## Üçek üçin bir tarapy listli poliuritan sendwiç panelleriň tehniki maglumatlary

Width	100 cm
Length	2 ~ 13 m
Thickness	2 ~ 5 cm
Top sheet thickness	0.3 ~ 0.8 mm
Bottom sheet thickness	0.16 mm
Type of top sheet	Galvanized/ Aluminium/ Aluzinc
Type of bottom sheet	aluminum foiled craft paper/ waterproof paper
Height	37 mm
Number of panel ribs	4 ribs
Rib spacing	333 mm
Type of insulation	polyurethane

## Economy polyurethane sandwich panel

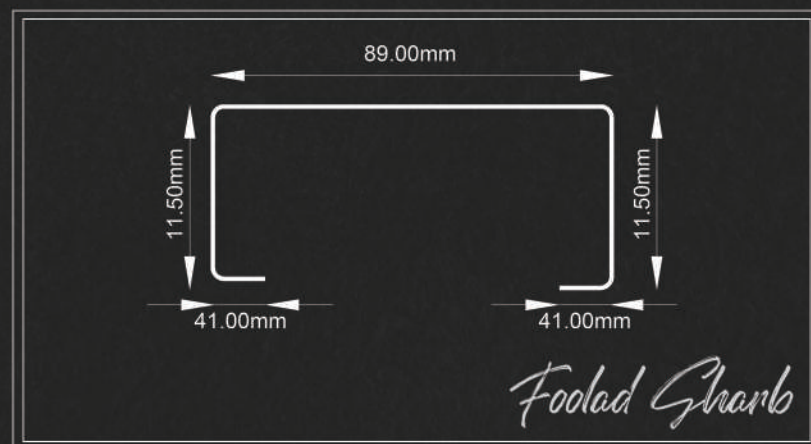
Economy polyurethane sandwich panel is one of the most widely used and cost-effective materials in the construction, villa and shed construction industry, which consists of top steel sheet layer and a bottom aluminum foiled craft paper layer or waterproof paper. Aluminum foiled craft paper has high strength and waterproof paper also has high resistance against moisture. Washing ability, antimicrobial properties, along with optimal insulation, are other features of economy sandwich panels made of waterproof paper, which makes it a light, affordable and useful option for covering all types of structures.

The paper used in the one-sided waterproof paper sandwich panel, in addition to its impressive resistance to water penetration, eliminates the possibility of insects nesting and has high resistance to pressure and impact. Polyurethane Economy sandwich panel is one of the most widely used materials in the construction industry, villa construction and shed construction, and due to its economical price and ease of installation, it is a suitable alternative to brick, cement and roofing sheet materials.



# FOOLAD GHARB LIGHT STEEL FRAME

The best quality of LSF with the brand of TeknoEV



## LIGHT STEEL FRAME

The market share of lightweight steel-frame (LSF) construction system has grown over the last decades, mainly in low-rise residential buildings, due to its advantages such as having small weight with high mechanical strength; reduced disruption on-site and speed of construction; great potential for recycling and reuse; high architectural flexibility for retrofitting purposes; easy prefabrication, allowing modular construction; economy in transportation and handling; superior quality given off-site manufacture control; and excellent stability of shape in case of humidity and resistance to insect damage. However, given the high thermal conductivity of steel and the lightness of this type of construction, it may also have some drawbacks if not well designed and executed. All LSF structure is made of galvanized sheet and it has a 10 year background in Iran due to the many benefits of this material, its use has grown significantly and so far many construction projects with LSF structure have been implemented in Iran and neighborhood countries.

LSF structures are lightweight due to the lack of heavy materials and have better performance against earthquakes and are one of the best options in earthquake-prone areas. In the worst case and under the strongest earthquake, the vertical members of the LSF structure are twisted and, unlike traditional structures, have no debris. Also, the use of modern thermal and acoustic insulation has placed this structure at the top of building structures suitable for special areas with bad climates.

LSF structure is a prefabricated and light structure that is produced in the factory according to the architectural building site using bolts and other connections.

## Benefits of light steel framing:

Earthquake-resistant system, factory precision, consistent material quality, high strength to weight, high energy saving due to superior insulation, flexible design, reduced foundation, internal space increase, quick assembly and etc.

## Usual materials in light steel framing:

- Roof cladding such as sandwich panels, corrugated sheets and shingle
- External cladding such as fiber cement sheets, sandwich panels, plywood and fiber cement siding weatherboards
- Internal wall lining such as fiber cement, PVC panel and gypsum
- Floor linnig such as thick fiber cement, foam concrete, plywood, PVC flooring

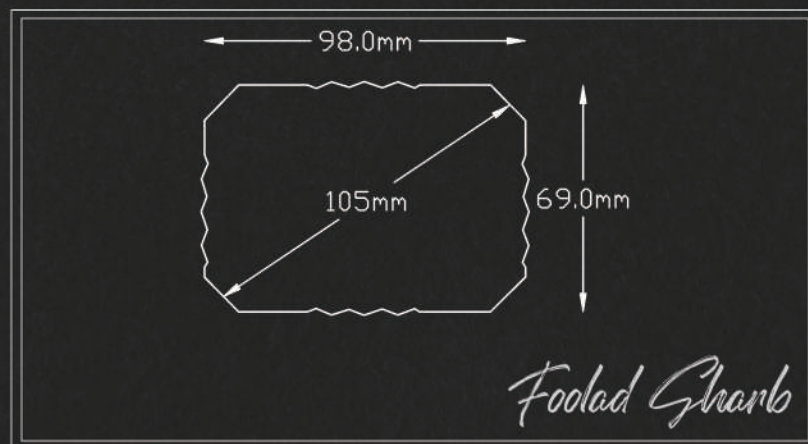


# FOOLAD GHARB DOWNSPOUT

PROTECT YOUR DOWNSPOUT FROM FUTURE CLOGS



ISO 45001 :2018  
ISO 14001 :2015  
ISO 9001 :2015  
CE IMS



Foolad Gharb  
DOWNSPOUT

### Advantages of our Gutters

- Prevent of water penetration to foundation
- Prevent of flooding and guidance of rainwater
- building facades with beautiful appearance and variety of colors

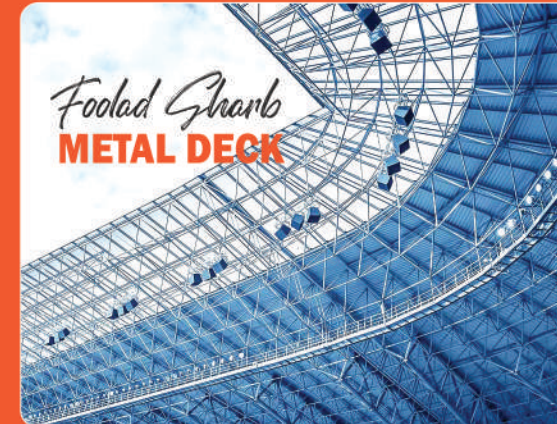
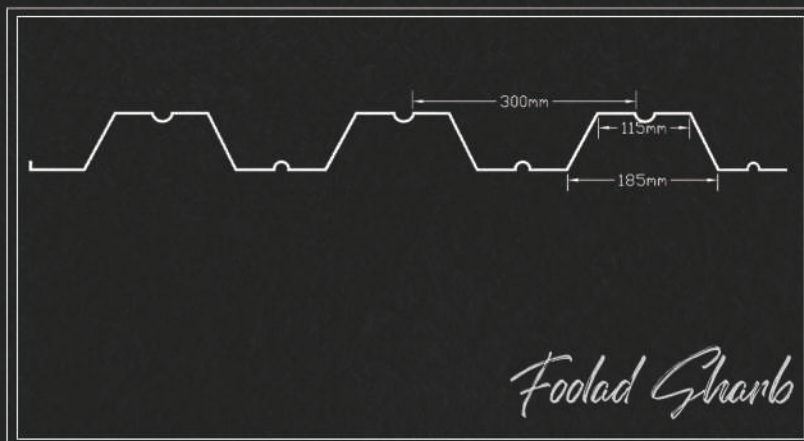
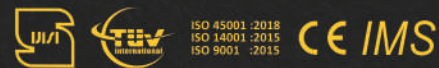
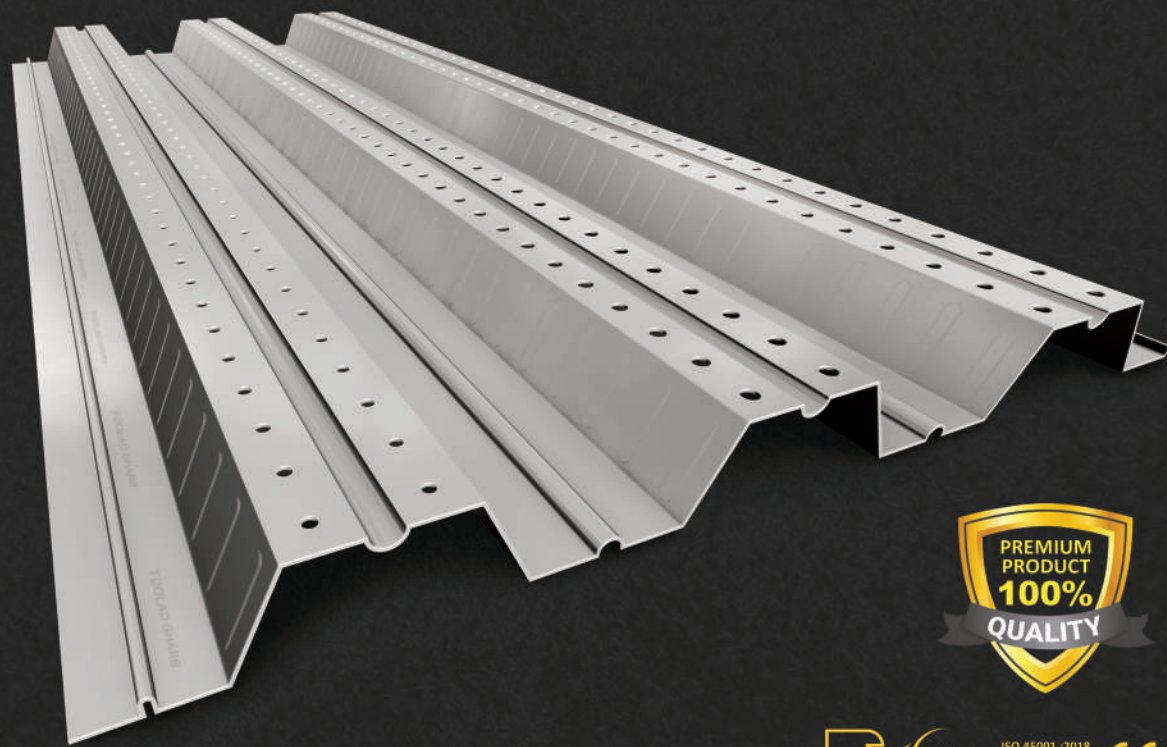
### Gable roof gutters

A unique product with a design taken from American and German samples, which is produced for the first time by Foolad Gharb Rolling Company in Iran and is offered exclusively under the Foolad Gharb brand. Rainwater is a natural element that if not controlled can cause irreparable damage and destruction of the building. To transfer water and protect residential and industrial buildings, as well as to beautify the building facade, this product is available in various colors.



# FOOLAD GHARB METAL DECK

METAL FRAMING & DECK MANUFACTURERS



## Advantages of steel deck

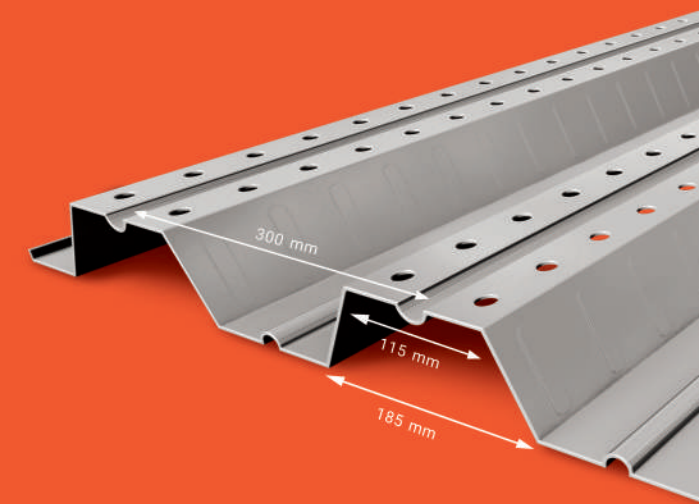
The lower weight of steel deck roofs compared to other common roofs in steel structure buildings is one of the characteristics of this type of roof. In this type of roofing method, ribbed trapezoidal galvanized sheet also acts as a concreting form and plays a structural role by remaining in the roof. Reducing the load on the roof and consequently reducing the weight of the structure and removing the block and molding and the easy transportation will save the cost of the building. The use of studs that weld the sheet to the beam is one of the most standard methods of execution. The presence of depressions and protrusions on the core of the steel sheet reduces the yield stress and modulus of the sheet by 47% compared to the flat sheet.

## Metal Deck

It is one of the newest types of roofs that has been successful in terms of execution. Today, steel deck roofs are used in high-rise structures. The metal deck roof is made of galvanized sheet with ribbed trapezoidal profile without the use of rebar.

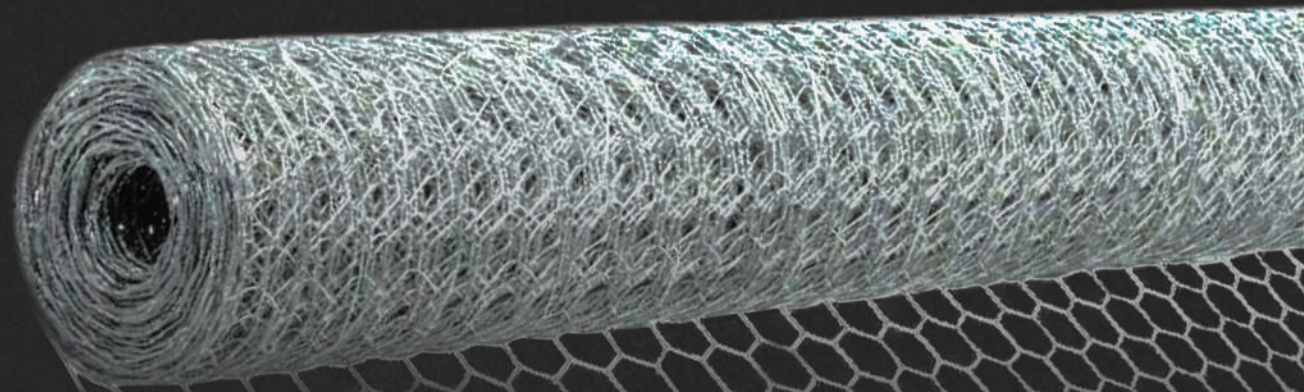
## Technical Specifications

Thickness	0.8 ~ 1.2 mm
Length	1 ~ 15 m
Width	940 mm
Effective width	920 mm
Height	73 mm
Rib Spacing	300 mm
Material	Galvanized



# FOOLAD GHARB WIRE NETTING

Hexagonal wire netting product



*Mehran Maftul*



Hexagonal wire netting is also known as chicken wire, chicken fencing and hex wire mesh. It is woven by low carbon steel wire, including normal twist and reverse twist. With hexagonal opening, it offers good ventilation and fencing uses.

**Specifications:**

- Made of high quality
- Strong but flexible
- Corrosion resistant
- Long-lasting rust protection

Ribbed Lath is a versatile metal lath stiffened by the longitudinal ribs. It has V ribs and greater tensile strength offering excellent plaster base and reinforcement for all types of walls, ceilings and fireproofing of steel beam, and columns. Ribbed lath is ideal for providing a high degree key of mechanical bonding with plaster or render.

**Specifications:**

- It is easy to cut and form to ornamental plaster work.
- It provides ample keying for scratch coat.
- It is commonly used for plaster machine application.
- It gives a uniform coat depth for large area.



mehranmaftul Industry



**Ribbed Lath**

Ribbed Lath is a type of mesh steel sheet that is produced from hot-dip galvanized sheets with thicknesses ranging from 0.25 to 0.5 and then reinforced by galvanized wires and connected in a single layer to the sub-network.

This product is mainly used in false ceilings, in the field of plastering and plastering, to cover beams, reinforcement and cement concrete, in order to repair building cracks, decoration and arches and open kitchens, in the direction of ceiling flowers, in order to lay out That is, arches, ceiling mud, hidden light and covering facilities), are used for the throat as well as hidden light around the hall and finally to cover the canals.

**Hexagonal wire**

Hexagonal wire netting are basically metal nets woven from wire. The thickness of hexagonal wire is different and of course, there are different types. The main feature of hexagonal wire is the ability to take advantage of the characteristics of wire or sheet metal.

Hexagonal wire is produced and marketed in two methods, hot and cold galvanized wire. Hot-dip galvanized chicken net production is made of good quality and has a higher strength than the cold method.

One of the most important features of hot-dip galvanized hexagonal wire is staying without corrosion and rust for a longer time and is more resistant to moisture. In compare to cold method Hexagonal wire mesh with good flexibility and anti-corrosion is widely used as gabion for protecting slopes.

**Technical Specifications Ribbed Lath**

Width	60 cm
Length	240 cm
Number of columns	13
Thickness	0.25 ~ 0.5 mm
Type of sheet	Galvanized

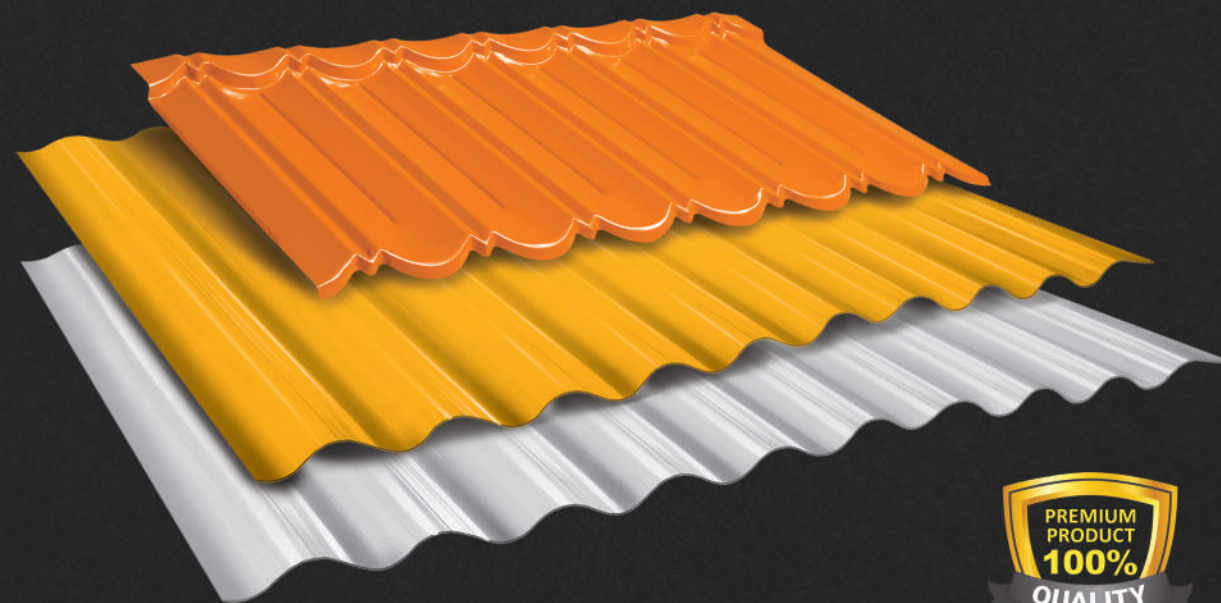
**Technical Specifications Hexagonal wire**

Type	Heavy& Light
Material	Hot dip galvanized
Width	120 cm
Length	54 M
Weight of roll	6.1 ~ 9.6 kg
Mesh size	3/4 inches



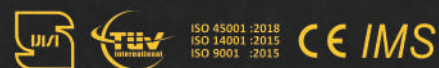
# FOOLAD GHARB CORRUGATED SHEET

ROOFING SHEET WITH THE HIGHEST QUALITY SHEETS



CORRUGATED SHEET

Fooladgharb roofing sheet is produced from the highest quality sheets available in the market in the types of shutter, sinusoidal, trapezoidal, slipper (facade design), ceramic and design tiles. Also, all the accessories of metal roofs such as flushing, ridges, gutters, etc. are also produced.



## Trapezoidal design sheet

Galvanized trapezoidal sheet is one of the most widely used sheets produced in FooladGharb factories. The thickness of the trapezoidal sheet varies between 0.3 mm to 2 mm depending on the customer's order and is produced in a width of 100 to 125 cm. Trapezoidal sheets are marketed in two groups of colored and colorless.

## Sinusoidal steel sheets

cladding facade made of prepainted steel and sinusoidal shape. Corrugated sheets were used to collect water from snow or rain. Later, by promoting the construction of cutting machines, corrugated steel sheets were used on the roofs of buildings. Generally, colored galvanized steel sheets can be produced and supplied in two widths of 100 and 125 cm with the customized length.

## Corrugated Steel Roof Sheets

It is produced from the highest quality sheets available in the market in various types of Corrugated sheets: sinusoidal, trapezoidal, cladding profile (façade design) and tile design roof sheets.

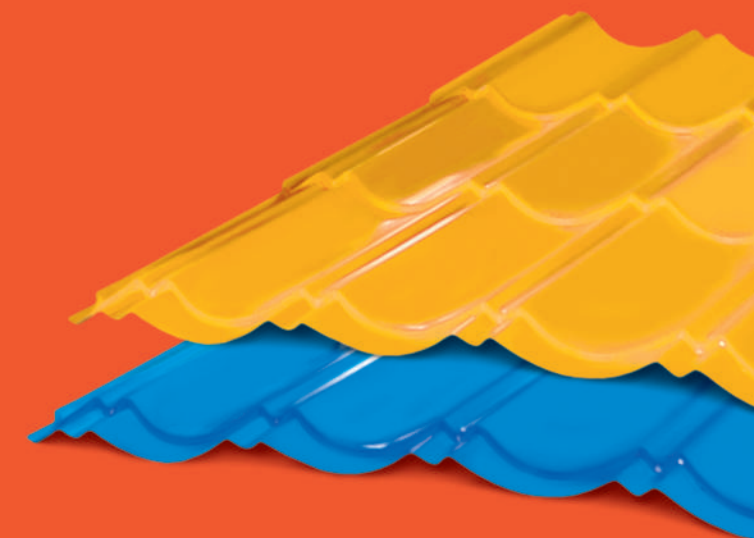
Also, all the accessories of metal gable roof such as flushing, ridge trim, gutter and downspout are also produced in this company.

Colored and galvanized steel sheets of Esfahan Steel company are used for rolling the profiles. The thickness and length of the sheets vary according to the customer's order.

## Tile design roof sheets - GOLCHIN

Tile design roof sheets is made of colored galvanized sheet to cover the sloping roof and gable.

Golchin pottery tile with a beautiful design and various colors has a special charm that with flexibility and the ability to be installed on gable roofs with a slope of 12 to 90 degrees plays an important role in beautifying the appearance of traditional and modern architecture.





*Relying on the unique thinking of human resources in the units of production, sales, finance, marketing and research and development, **Foolad Gharb** has established a genuine culture of customer orientation in each member of the **Foolad Gharb** family and promises a bright future.*

[www.fooladgharb.com](http://www.fooladgharb.com)

مطمئن همه  
اینجا هستند

Everyone is confident here

# FOOLAD GHARB

Products

COMBINATION OF ART & ORIGINALITY  
IN MODERN ARCHITECTURE



Corporate headquarter

Address: No. 47, Kamyar, Takhti St. Valiasr, Tabriz, Iran

Web: fooladgharb.com Instagram: foolad.gharb

Email: trades@fooladgharb.com

+9841 3424 2025

+98 914 4333 705

+98 912 0171 242

